

SPACECODE BOX



The Spacecode Box is a smart and secure RFID asset tracking and storage system ideal for healthcare enables. Intelligent asset management with biometric access facilitates item-specific tracking and real-time inventory control. 'Pick to Light' technology locates items instantly.



BIOMETRIC OR CARD ACCESS
FOR MANAGEMENT CONTROL



LED 'PICK TO LIGHT'
IDENTIFIES ITEMS INSTANTLY



AUTOMATED 24/7 INVENTORY
TRACK-AND-TRACE FROM ANYWHERE



The Spacecode Box is a compact RFID device used for storage, monitoring and track-and-trace of high-value medical devices and medication. It facilitates the inventory management process of receiving items and then monitors and validates their presence in real-time.

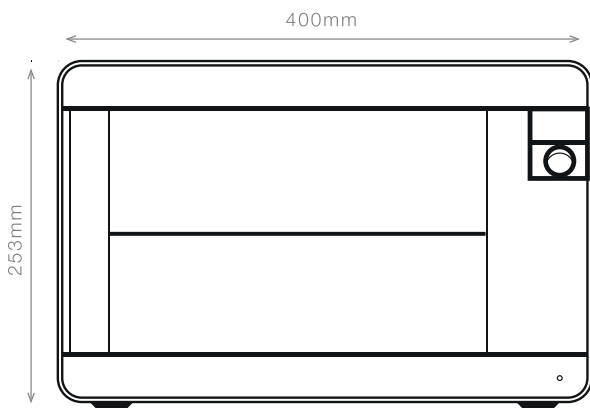
The Spacecode RFID/LED 'pick to light' tag feature offers instant identification of a specific item or items inside the device and protects against oversights. Users can find the exact device or item that they are looking for, at the exact moment it is required, contributing to patient care and safety.

The Spacecode Box can only be opened by authorized personnel via biometric access and constantly records exactly who accessed the device, when it was accessed, what was put in or removed and where the transaction occurred. Alerts are also created to inform management when any items are removed from the Spacecode Box.

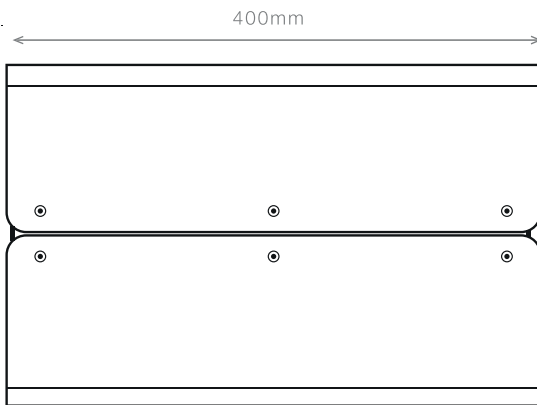
KEY FEATURES

- Stores, monitors and tracks inventory 24/7
- 3D Scanning (items can be tagged and positioned randomly)
- Biometric Fingerprint Access
- Easy to use and simple workflow integration for inventory management
- LED "pick to light" feature
- Door open/close detection and alerts

TECHNICAL SPECIFICATIONS



FRONT VIEW



SIDE VIEW

DIMENSIONS

External Dimensions	400 X 400 X 253 [MM] (W X D X H)
Interior Fittings / Dimensions	Removable shelf separator- 290 X 260 X 175 [MM]
Weight	16 KG
Door Hinge	Left

MATERIAL

Exterior / Interior Body	Aluminum - black coated / Plastic PMMA - white
Door	Polycarbonate - Transparent
Interior Lighting	LED

RFID OPERATION

Carrier Frequency	125 KHZ Global Frequency Standard (119.7 KHZ)
Technology	Spacecode Passive RFID
Tag Type	100.70-DFT 100.70-LED 97.15-DFT-LED 23.1-LED
Chip Type / Memory	SPC E2 R/W/LED 126 BITS
Data Durability	10 years
Alarms	Door open/close detector

ACCESS CONTROL

Lock	Rotating mechanical latch
Biometric Access	Yes
Emergency Key	Manual emergency key release

COMMUNICATION

USB	Yes
-----	-----

SOFTWARE

Software Development	SDK (Software Development Kit)
Business Application	SmartTracker with central or local database

POWER

Power Supply	100-230V AC, 50-60HZ - Power On switch
Power Consumption	200W MAX
Ambient Operating Temperature	10° TO 38°C (indoor use only)

CERTIFICATION

Applicable Directives	89/336/EEC Electromagnetic Directive
Standards of Conformity	EN301 489-1 V1 8.1 - ETSI EN 300 330-2 V1.5.1 - EN 50364 of 2010 FCC Part 15A Radiated Limits CE

AVAILABLE OPTIONS

PC touch screen panel
